



DELIVERY BOXES

STATIONARY RATION DELIVERY BOX SERIES

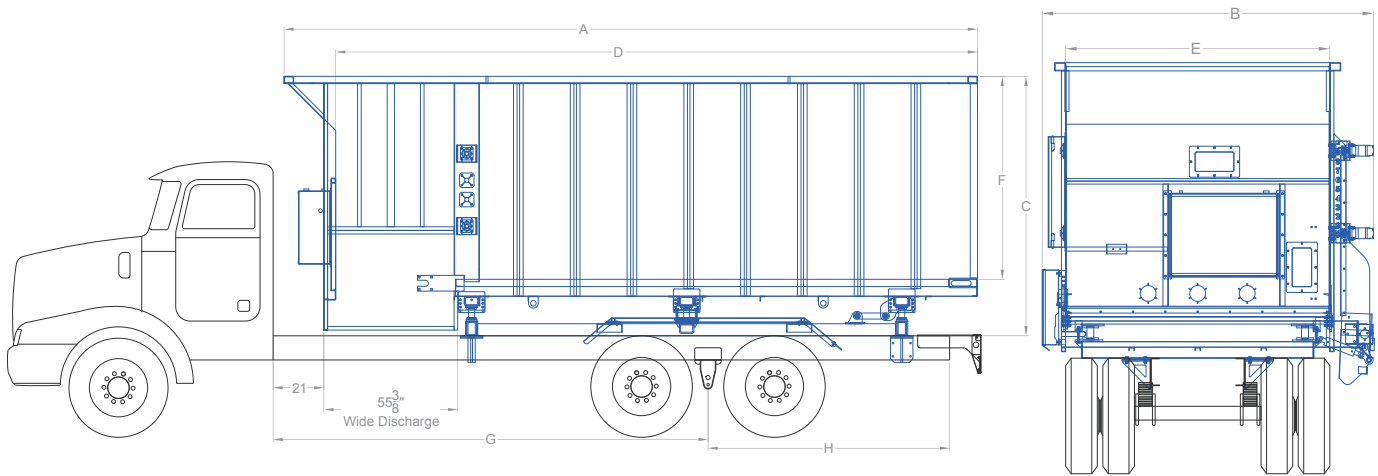
Cattle Feeding Equipment & Solutions

[Return to Website Click Here](#)



Laird Delivery Box Series

DIAGRAM



UNIT SPECIFICATIONS

DESCRIPTION	DB1606	DB1607	DB1805	DB1806	DB1807	DB2005	DB2006
CAPACITY (CU.FT)	768 CU.FT	896 CU.FT	720 CU.FT	864 CU.FT	1008 CU.FT	800 CU.FT	960 CU.FT
A OVERALL LENGTH	17'-11"	17'-11"	19'-11"	19'-11"	19'-11"	21'-11"	21'-11"
B OVERALL WIDTH	10'	10'	10'	10'	10'	10'	10'
C OVERALL HEIGHT	8'	9'	7'	8'	9'	7'	8'
D CHAMBER LENGTH	16'	16'	18'	18'	18'	20'	20'
E CHAMBER WIDTH	8'	8'	8'	8'	8'	8'	8'
F CHAMBER HEIGHT	6'	7'	5'	6'	7'	5'	6'
G TRUCK CT.	144" ± 3"	144" ± 3"	156" ± 3"	156" ± 3"	156" ± 3"	168" ± 3"	168" ± 3"
H TRUCK OVER HANG	62" MIN.	62" MIN.	74" MIN.	74" MIN.	74" MIN.	86" MIN.	86" MIN.

DESCRIPTION	DB2007	DB2205	DB2206	DB2207	DB2405	DB2406	DB2407
CAPACITY (CU.FT)	1120 CU.FT	880 CU.FT	1056 CU.FT	1232 CU.FT	960 CU.FT	1152 CU.FT	1344 CU.FT
A OVERALL LENGTH	21'-11"	23'-11"	23'-11"	23'-11"	25'-11"	25'-11"	25'-11"
B OVERALL WIDTH	10'	10'	10'	10'	10'	10'	10'
C OVERALL HEIGHT	9'	7'	8'	9'	7'	8'	9'
D CHAMBER LENGTH	20'	22'	22'	22'	24'	24'	24'
E CHAMBER WIDTH	8'	8'	8'	8'	8'	8'	8'
F CHAMBER HEIGHT	7'	5'	6'	7'	5'	6'	7'
G TRUCK CT.	168" ± 3"	180" ± 3"	180" ± 3"	180" ± 3"	196" ± 3"	196" ± 3"	196" ± 3"
H TRUCK OVER HANG	86" MIN.	98" MIN.	98" MIN.	98" MIN.	106" MIN.	106" MIN.	106" MIN.

* ALL HEIGHTS BASED ON 75R22.5 TIRES

Performance, Longevity
& Quality Service

Made in
the U.S.A



Call Today 209-722-4146

[Return to Website Click Here](#)



Laird Delivery Box Series

UNIT SPECIFICATIONS

DESCRIPTION	DB2605	DB2606	DB2607	DB2705	DB2706
CAPACITY (CU.FT)	1040 CU.FT	1248 CU.FT	1456 CU.FT	1080 CU.FT	1296 CU.FT
A OVERALL LENGTH	27'-11"	27'-11"	27'-11"	28'-11"	28'-11"
B OVERALL WIDTH	10'	10'	10'	10'	10'
C OVERALL HEIGHT	7'	8'	9'	7'	8'
D CHAMBER LENGTH	26'	26'	26'	27'	27'
E CHAMBER WIDTH	8'	8'	8'	8'	8'
F CHAMBER HEIGHT	5'	6'	7'	5'	6'
G TRUCK CT.	208" ± 3"	208" ± 3"	208" ± 3"	214" ± 3"	214" ± 3"
H TRUCK OVER HANG	112" MIN.	112" MIN.	112" MIN.	118" MIN.	118" MIN.

DESCRIPTION	DB2707	DB2805	DB2806	DB2807	DB2905
CAPACITY (CU.FT)	1512 CU.FT	1120 CU.FT	1344 CU.FT	1568 CU.FT	1160 CU.FT
A OVERALL LENGTH	28'-11"	29'-11"	29'-11"	29'-11"	30'-11"
B OVERALL WIDTH	10'	10'	10'	10'	10'
C OVERALL HEIGHT	9'	7'	8'	9'	7'
D CHAMBER LENGTH	27'	28'	28'	28'	29'
E CHAMBER WIDTH	8'	8'	8'	8'	8'
F CHAMBER HEIGHT	7'	5'	6'	7'	5'
G TRUCK CT.	214" ± 3"	224" ± 3"	224" ± 3"	224" ± 3"	230" ± 3"
H TRUCK OVER HANG	118" MIN.	116" MIN.	116" MIN.	116" MIN.	118" MIN.

DESCRIPTION	DB2906	DB2907	DB3005	DB3006	DB3007
CAPACITY (CU.FT)	1392 CU.FT	1624 CU.FT	1200 CU.FT	1440 CU.FT	1680 CU.FT
A OVERALL LENGTH	30'-11"	30'-11"	31'-11"	31'-11"	31'-11"
B OVERALL WIDTH	10'	10'	10'	10'	10'
C OVERALL HEIGHT	8'	9'	7'	8'	9'
D CHAMBER LENGTH	29'	29'	30'	30'	30'
E CHAMBER WIDTH	8'	8'	8'	8'	8'
F CHAMBER HEIGHT	6'	7'	5'	6'	7'
G TRUCK CT.	230" ± 3"	230" ± 3"	236" ± 3"	236" ± 3"	236" ± 3"
H TRUCK OVER HANG	118" MIN.	118" MIN.	120" MIN.	120" MIN.	120" MIN.

*ALL HEIGHTS BASED ON 75R22.5 TIRES

Performance, Longevity & Quality Service | Made in the U.S.A.  | **Call Today 209-722-4146**

[Return to Website Click Here](#)



Laird Delivery Box Series

STANDARD EQUIPMENT

1. Subframe With 2 Crossmembers (No Weigh Bars)
2. 5 MM Stainless Steel Floor
3. Crimped Walls With 2.5 MM Stainless Steel Wall Liners
4. Discharge Conveyor (Made From 3 MM Stainless Steel)
5. 1 Beater With Stainless Steel Pegs
6. Hydraulic Motor Drive for 1 X Beater
7. 4 X WR78 Floor Chains
8. Tandem Pump for Hydraulic System (Gear Pumps)
9. Oil Reservoir & Filters + Rear Hatch for Servicing
10. Valves, Manifold & Hoses
11. High Pressure OMS-125 Motor for Floor Drive & Gearbox
12. 2 3/16" Floor Shaft on Drive End & 2" Floor Shaft on Idler End
13. J Box, Includes All Wiring & Accessories
14. Hydraulic Motor for Discharge Conveyor (Direct Drive)
15. Adjustable Sliding Door, Hydraulic Folding Spout
16. Slats on Chain (2" X 1" X 3/16")
17. Painted Laird White With Blue Trim
18. Rear Bumper With Built in Lights (Stop, Turn, Tail, & Reverse)
19. Fenders & Mudflaps (Separate From Box)
20. Totally Enclosed Return Chain (3/8" UHMW)
21. Two Viewing Windows Made From Reinforced Plexiglass
22. Clearance Lights & Conspicuous Tape
23. Joystick & Indicator Control System
24. Mounting on Truck

[Return to Website Click Here](#)





Cattle Feeding Equipment & Solutions

531 S. Hwy. 59 | Merced, CA 95341
P: (209) 722-4145 | F: (209) 349-8934 | sales@lairdmfg.com | www.lairdmfg.com

[Return to Website Click Here](#)