



# VERTICAL TRAILER MOUNT MIXERS

## DIRECT DRIVE SERIES



**Cattle Feeding Equipment & Solutions**

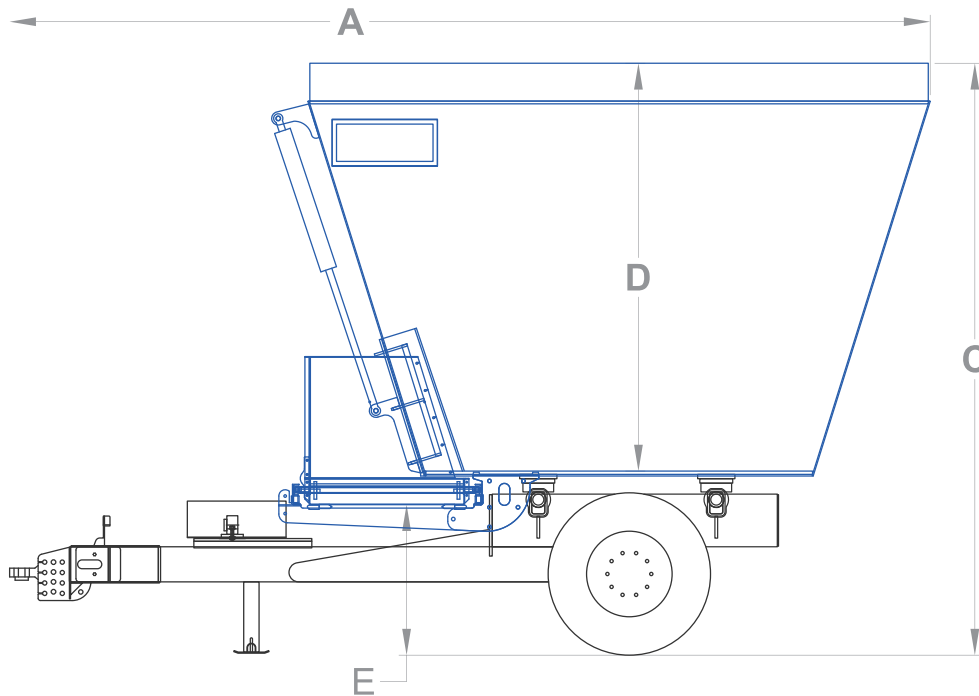
[Return to Website Click Here](#)



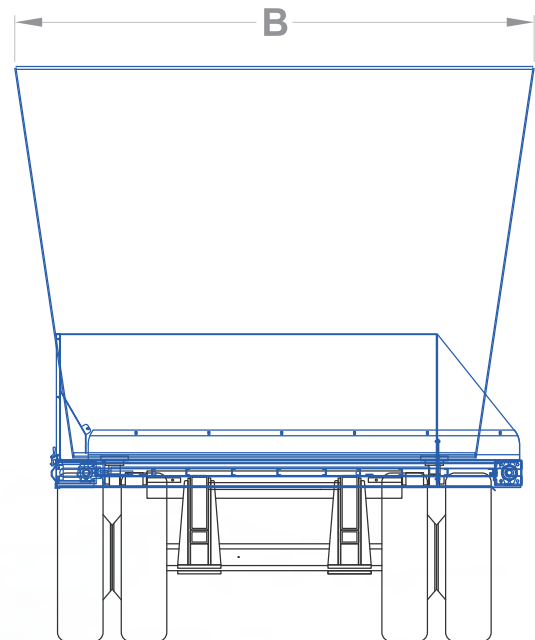
# VR-555DD VERTICAL MIXER TRAILER-MOUNT

(SINGLE AUGER)

## VR-555DD DIAGRAM



UNIT SPECIFICATIONS	
NUMBER OF AUGERS	1
VOLUME (CU.FT.)	521
MAX LOAD @ 25LBS/CU.FT.	13025
<b>A</b> OVERALL LENGTH	210.00"
<b>B</b> OVERALL WIDTH DISCHARGE	114.00"
<b>C</b> OVERALL HEIGHT	135.00"
<b>D</b> CHAMBER DEPTH	92.00"
<b>E</b> DISCHARGE CLEARANCE (STD. FLAT)	33.25"
DISCHARGE CLEARANCE (DOGLEG)	45.75"
PIVOT DISCHARGE @ MIN. CLEARANCE	28.00"
DISCHARGE CLEARANCE (STD+CHUTE)	23.25"
TRACTOR MIN. HORSE POWER	100
NUMBER OF AXLES	1



\* ALL HEIGHTS BASED ON 75R22.5 TIRES

Performance, Longevity | Made in the U.S.A   
& Quality Service

**Call Today 209-722-4146**

[Return to Website Click Here](#)



# **VR-555DD VERTICAL MIXER TRAILER-MOUNT**

*(SINGLE AUGER)*

**VR-555DD**

**STANDARD EQUIPMENT**

1. 555 Cu.Ft. Mixing Chamber | 7 Ft. Side Wall Plus 8" Belt Extension
2. 3/4" Steel Sub-Floor
3. One Vertical Auger With 5mm Stainless Steel On Bottom Flight, 3mm Stainless Steel Auger Cap, & Stainless Round Bar Around Perimeter
4. One HD Planetary Gear Box (Som PG-1802) With 90 Degree Bevel Gear (T-269)
5. Discharge Conveyor (L) Stainless Steel 8.5'- Hydraulic, Adjustable On 8 Bearings (C-2082 Roller Chain)
6. PTO Shaft With 5/16" Shearbolt (1000 RPM)
7. 4 X 275/70R/22.5 Tires On Single ADR Axle
8. 4 X 10,000 Lbs. Capacity Weighbars - 2 1/8" Diameter
9. 5 High Quality Busatis Blades (5 Per Auger) Plus Two Counter Knives
10. 4 Hydraulic Hoses
11. Mechanical Jack & Ladder For Viewing
12. Painted Laird White With Blue Trim

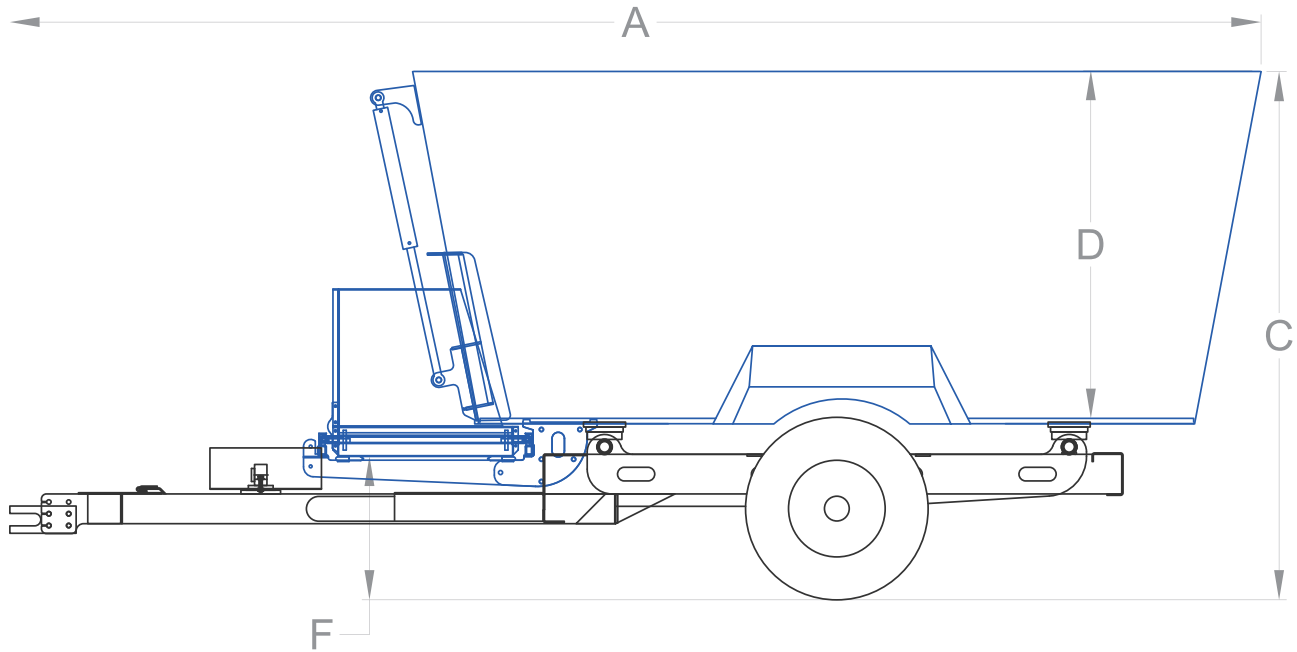
[Return to Website Click Here](#)



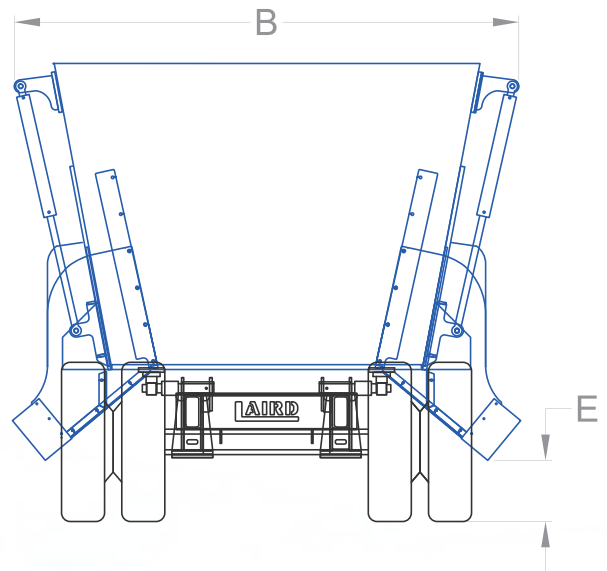
# VR-475DD VERTICAL MIXER TRAILER-MOUNT

(TWIN AUGER)

## VR-475DD DIAGRAM



UNIT SPECIFICATIONS	
NUMBER OF AUGERS	2
VOLUME (CU.FT.)	466
MAX LOAD @ 25LBS/CU.FT.	11650
<b>A</b> OVERALL LENGTH	252.50"
<b>B</b> OVERALL WIDTH SIDE DOORS	117.25"
OVERALL WIDTH DISCHARGE	104.75"
<b>C</b> OVERALL HEIGHT	106.75"
<b>D</b> CHAMBER DEPTH	70.00"
<b>E</b> SIDE DOOR CHUTE CLEARANCE	14.25"
<b>F</b> DISCHARGE CLEARANCE (STD. FLAT)	28.75"
DISCHARGE CLEARANCE (DOGLEG)	41.25"
PIVOT DISCHARGE @ MIN. CLEARANCE	23.50"
DISCHARGE CLEARANCE (STD+CHUTE)	18.75"
TRACTOR MIN. HORSE POWER	100
NUMBER OF AXLES	1



\* ALL HEIGHTS BASED ON 75R22.5 TIRES

Performance, Longevity | Made in  the U.S.A  
& Quality Service

**Call Today 209-722-4146**

[Return to Website Click Here](#)



# **VR-475DD VERTICAL MIXER TRAILER-MOUNT**

*(TWIN AUGER)*

**VR-475DD**

**STANDARD EQUIPMENT**

1. 490 Cu.Ft. Mixing Chamber | 70" Side Wall
2. 3/4" Steel Sub-Floor & 6mm | 0.236 in Stainless Steel Baffles
3. Two Vertical Augers With 5mm Stainless Steel On Bottom Flight, 3mm Stainless Steel Auger Cap, & Stainless Round Bar Around Perimeter
4. Two Heavy Duty Planetary Gear Boxes (SOM PGA-1603) Integrated With a 90 Degree Bevel Gear
5. Discharge Conveyor (L) Stainless Steel 8.5'- Hydraulic, Adjustable On 8 Bearings (C-2082 Roller Chain)
6. PTO Shaft With 5/16" Shearbolt (1000 RPM)
7. 4 X 275/70R/22.5 Tires On Single ADR Axle
8. 4 X 10,000 Lbs. Capacity Weighbars - 2 1/8" Diameter
9. 10 High Quality Busatis Blades (5 Per Auger) Plus Two Counter Knives
10. 4 Hydraulic Hoses
11. Mechanical Jack & Ladder For Viewing
12. Painted White With Blue Trim

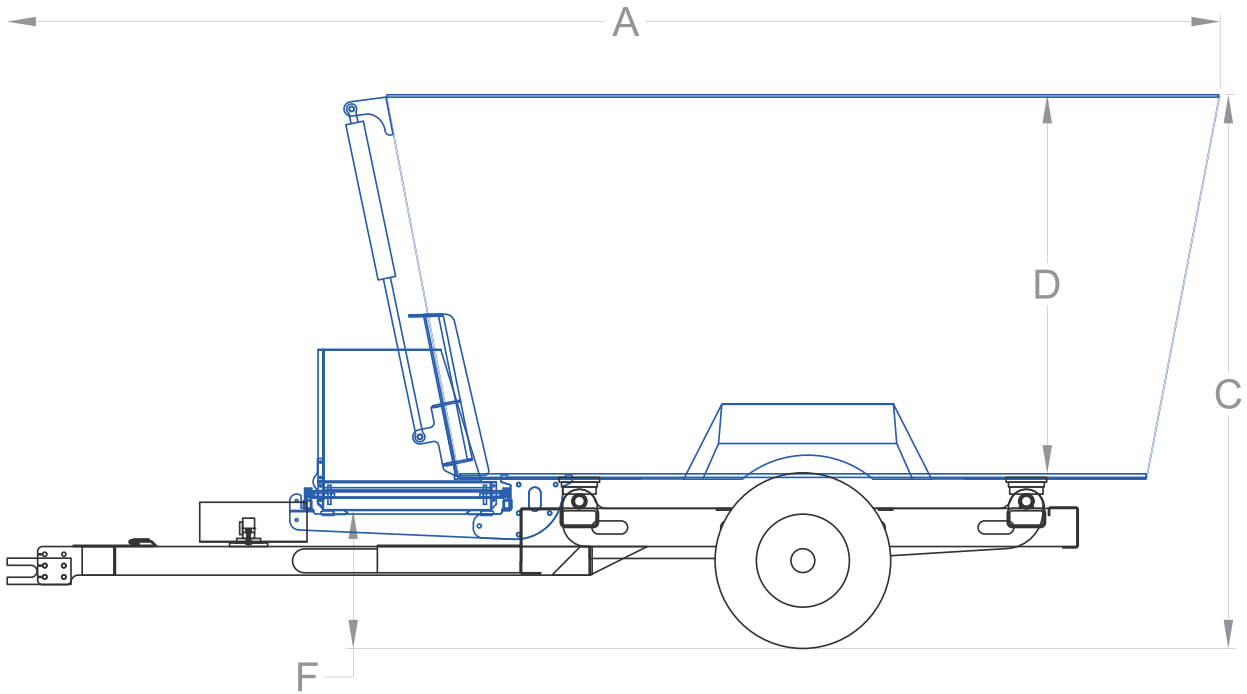
[Return to Website Click Here](#)



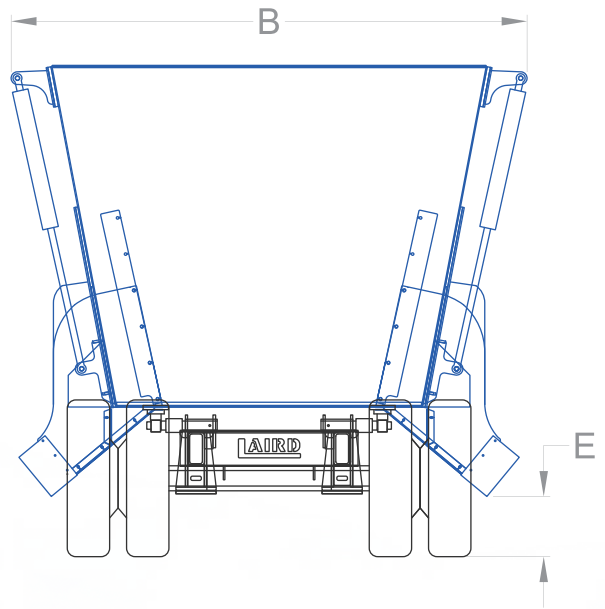
# VR-555DD VERTICAL MIXER TRAILER-MOUNT

(TWIN AUGER)

## VR-555DD DIAGRAM



UNIT SPECIFICATIONS	
NUMBER OF AUGERS	2
VOLUME (CU.FT.)	554
MAX LOAD @ 25LBS/CU.FT.	13850
<b>A</b> OVERALL LENGTH	254.25"
<b>B</b> OVERALL WIDTH SIDE DOORS	121.75"
OVERALL WIDTH DISCHARGE	106.75"
<b>C</b> OVERALL HEIGHT	115.75"
<b>D</b> CHAMBER DEPTH	80.00"
<b>E</b> SIDE DOOR CHUTE CLEARANCE	14.25"
<b>F</b> DISCHARGE CLEARANCE (STD. FLAT)	28.75"
DISCHARGE CLEARANCE (DOGLEG)	41.25"
PIVOT DISCHARGE @ MIN. CLEARANCE	23.50"
DISCHARGE CLEARANCE (STD+CHUTE)	18.75"
TRACTOR MIN. HORSE POWER	100
NUMBER OF AXLES	1



\* ALL HEIGHTS BASED ON 75R22.5 TIRES

Performance, Longevity | Made in the U.S.A.   
& Quality Service

**Call Today 209-722-4146**

[Return to Website Click Here](#)



# **VR-555DD VERTICAL MIXER TRAILER-MOUNT**

*(TWIN AUGER)*

**VR-555DD**

**STANDARD EQUIPMENT**

1. 555 Cu.Ft. Mixing Chamber | 80" Side Wall
2. 3/4" Steel Sub-Floor & 6mm | 0.236 in Stainless Steel Baffles
3. Two Vertical Augers With 5mm Stainless Steel On Bottom Flight, 3mm Stainless Steel Auger Cap, & Stainless Round Bar Around Perimeter
4. Two Heavy Duty Planetary Gear Boxes (SOM PGA-1603) Integrated With a 90 Degree Bevel Gear
5. Discharge Conveyor (L) Stainless Steel 8.5'- Hydraulic, Adjustable On 8 Bearings (C-2082 Roller Chain)
6. PTO Shaft With 5/16" Shearbolt (1000 RPM)
7. 4 X 275/70R/22.5 Tires On Single ADR Axle
8. 4 X 10,000 Lbs. Capacity Weighbars - 2 1/8" Diameter
9. 10 High Quality Busatis Blades (5 Per Auger) Plus Two Counter Knives
10. 4 Hydraulic Hoses
11. Mechanical Jack & Ladder For Viewing
12. Painted Laird White With Blue Trim

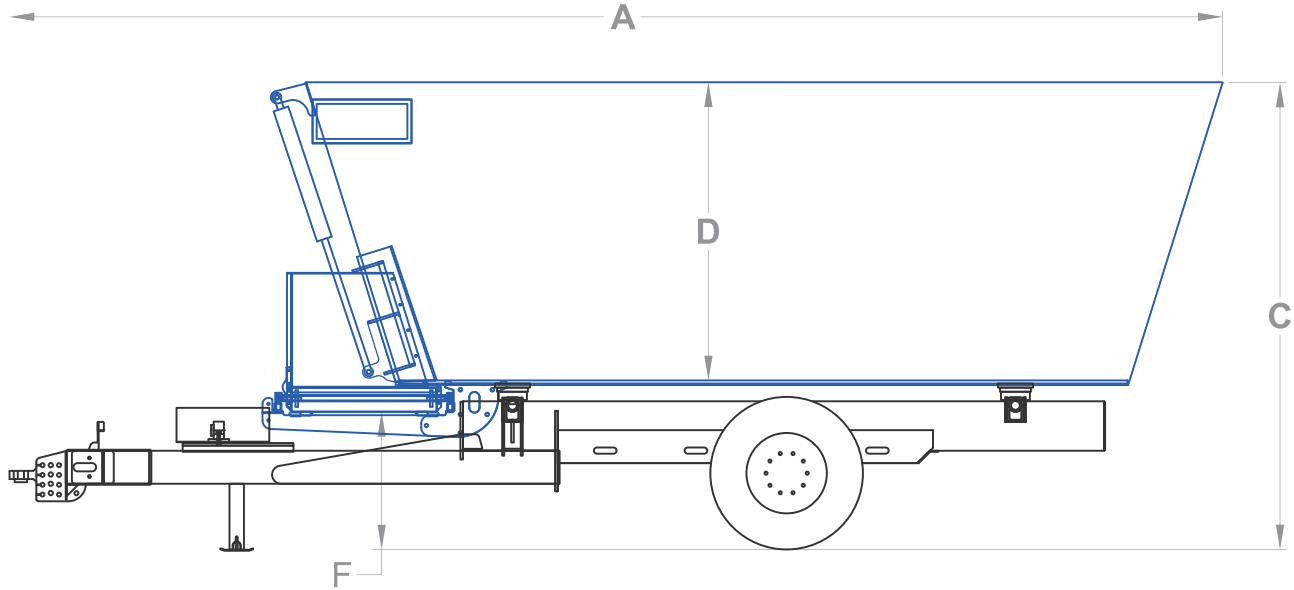
[Return to Website Click Here](#)



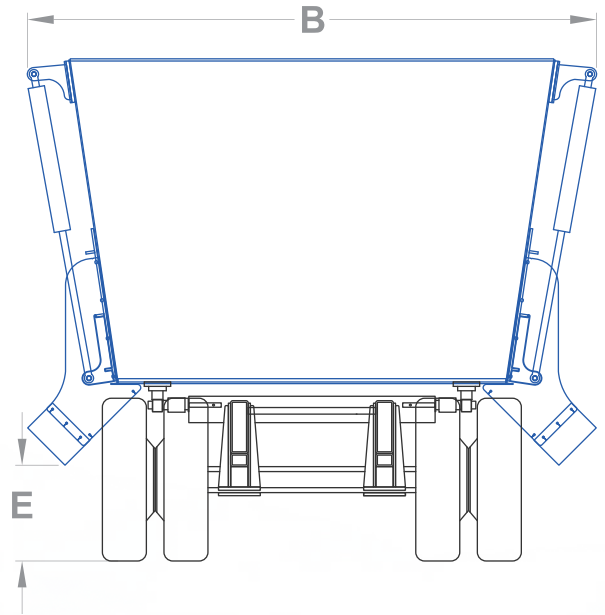
# VR-675DD VERTICAL MIXER TRAILER-MOUNT

(TWIN AUGER)

## VR-675DD DIAGRAM



UNIT SPECIFICATIONS	
NUMBER OF AUGERS	2
VOLUME (CU.FT.)	713
MAX LOAD @ 25LBS/CU.FT.	19750
<b>A</b> OVERALL LENGTH	294.25"
<b>B</b> OVERALL WIDTH SIDE DOORS	129.50"
OVERALL WIDTH DISCHARGE	110.50"
<b>C</b> OVERALL HEIGHT	113.25"
<b>D</b> CHAMBER DEPTH	72.00"
<b>E</b> SIDE DOOR CHUTE CLEARANCE	21.75"
<b>F</b> DISCHARGE CLEARANCE (STD. FLAT)	33.25"
DISCHARGE CLEARANCE (DOGLEG)	45.75"
PIVOT DISCHARGE @ MIN. CLEARANCE	28.00"
DISCHARGE CLEARANCE (STD+CHUTE)	23.25"
TRACTOR MIN. HORSE POWER	110
NUMBER OF AXLES	1



\* ALL HEIGHTS BASED ON 75R22.5 TIRES

Performance, Longevity | Made in the U.S.A   
& Quality Service

**Call Today 209-722-4146**

[Return to Website Click Here](#)



# **VR-675DD VERTICAL MIXER TRAILER-MOUNT**

*(TWIN AUGER)*

**VR-675DD**

**STANDARD EQUIPMENT**

1. 675 Cu.Ft. Mixing Chamber | 6 Ft. Side Wall
2. 3/4" Steel Sub-Floor & 6mm | 0.236 in Stainless Steel Baffles
3. Two Vertical Augers With 5mm Stainless Steel On Bottom Flight, 3mm Stainless Steel Auger Cap, & Stainless Round Bar Around Perimeter
4. Two Heavy Duty Planetary Gear Boxes (Som PG-1802) Integrated With 90 Degree Bevel Gears (T-269)
5. Discharge Conveyor (L) Stainless Steel 8.5'- Hydraulic, Adjustable On 8 Bearings (C-2082 Roller Chain)
6. PTO Shaft With 3/8" Shearbolt (1000 RPM)
7. 4 X 275/70R/22.5 Tires On A Single ADR Axle
8. 4 X 10,000 Lbs. Capacity Weighbars - 2 1/8" Diameter
9. 10 High Quality Busatis Blades (5 Per Auger) Plus Two Counter Knives
10. 4 Hydraulic Hoses
11. Mechanical Jack & Ladder For Viewing
12. Painted Laird White With Blue Trim

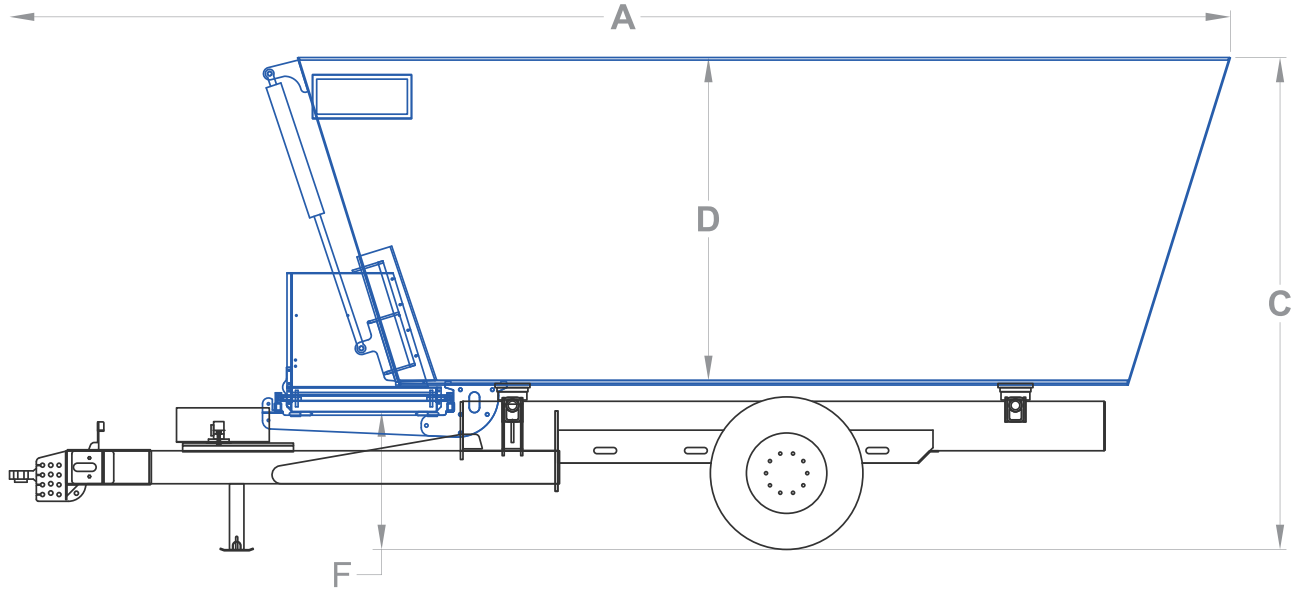
[Return to Website Click Here](#)



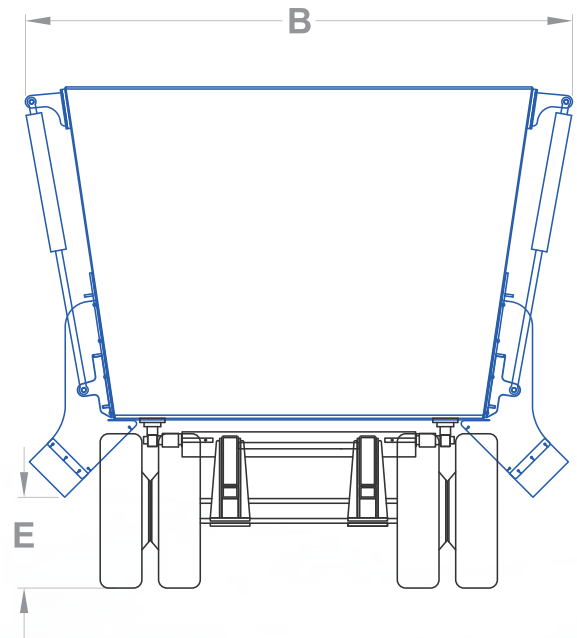
# VR-750DD VERTICAL MIXER TRAILER-MOUNT

(TWIN AUGER)

## VR-750DD DIAGRAM



UNIT SPECIFICATIONS	
NUMBER OF AUGERS	2
VOLUME (CU.FT.)	790
MAX LOAD @ 25LBS/CU.FT.	19750
<b>A</b> OVERALL LENGTH	298.38"
<b>B</b> OVERALL WIDTH SIDE DOORS	131.25"
OVERALL WIDTH DISCHARGE	112.25"
<b>C</b> OVERALL HEIGHT	119.25"
<b>D</b> CHAMBER DEPTH	78.00"
<b>E</b> SIDE DOOR CHUTE CLEARANCE	21.75"
<b>F</b> DISCHARGE CLEARANCE (STD. FLAT)	33.25"
DISCHARGE CLEARANCE (DOGLEG)	45.75"
PIVOT DISCHARGE @ MIN. CLEARANCE	28.00"
DISCHARGE CLEARANCE (STD+CHUTE)	23.25"
TRACTOR MIN. HORSE POWER	115
NUMBER OF AXLES	1



Performance, Longevity | Made in the U.S.A.   
& Quality Service

**Call Today 209-722-4146**

\* ALL HEIGHTS BASED ON 75R22.5 TIRES

[Return to Website Click Here](#)



# **VR-750DD VERTICAL MIXER TRAILER-MOUNT**

*(TWIN AUGER)*

**VR-750DD**

**STANDARD EQUIPMENT**

1. 750 Cu.Ft. Mixing Chamber | 6.5 Ft. Side Wall
2. 3/4" Steel Sub-Floor & 6mm | 0.236 in Stainless Steel Baffles
3. Two Vertical Augers With 5mm Stainless Steel On Bottom Flight, 3mm Stainless Steel Auger Cap, & Stainless Round Bar Around Perimeter
4. Two Heavy Duty Planetary Gear Boxes (Som PG-1802) Integrated With 90 Degree Bevel Gears (T-269)
5. Discharge Conveyor (L) Stainless Steel 8.5'- Hydraulic, Adjustable On 8 Bearings (C-2082 Roller Chain)
6. PTO Shaft With 3/8" Shearbolt (1000 RPM)
7. 4 X 275/70R/22.5 Tires On A Single ADR Axle
8. 4 X 10,000 Lbs. Capacity Weighbars - 2 1/8" Diameter
9. 10 High Quality Busatis Blades (5 Per Auger) Plus Two Counter Knives
10. 4 Hydraulic Hoses
11. Mechanical Jack & Ladder For Viewing
12. Painted Laird White With Blue Trim

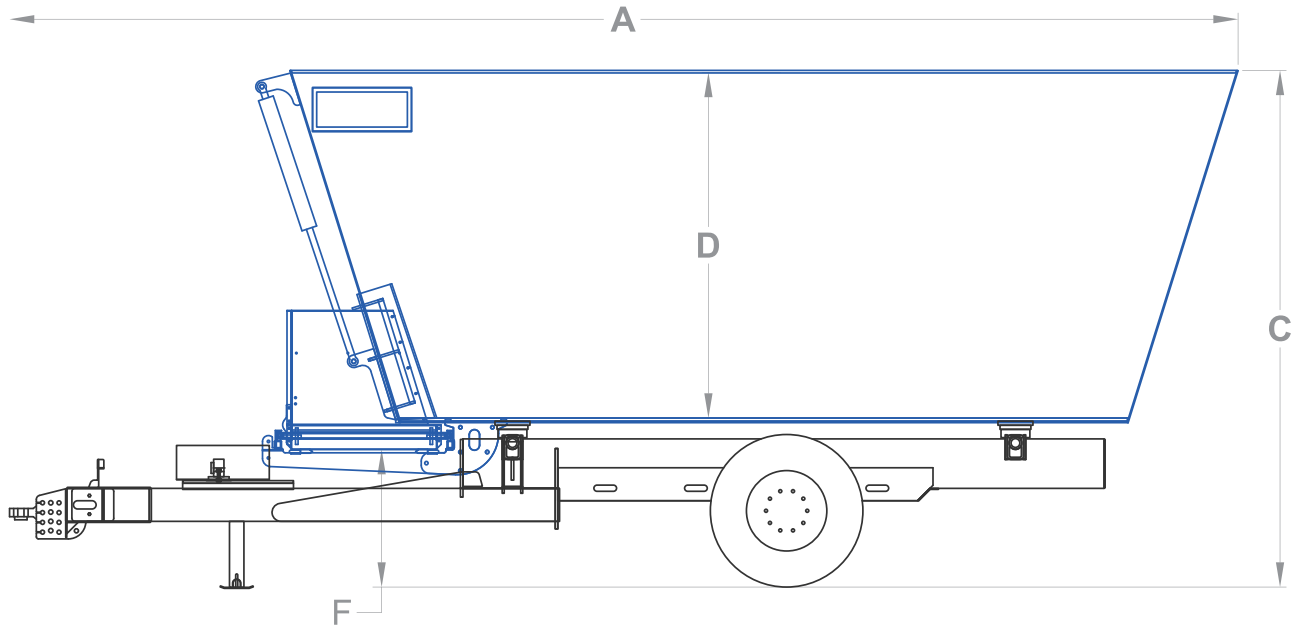
[Return to Website Click Here](#)



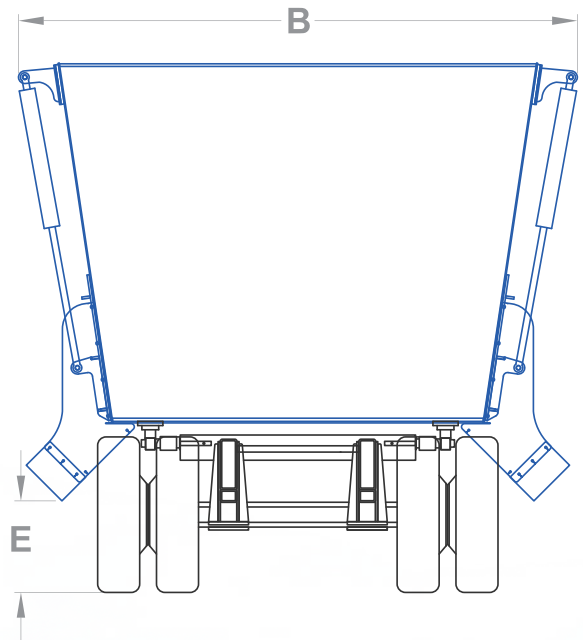
# VR-800DD VERTICAL MIXER TRAILER-MOUNT

(TWIN AUGER)

## VR-800DD DIAGRAM



UNIT SPECIFICATIONS	
NUMBER OF AUGERS	2
VOLUME (CU.FT.)	869
MAX LOAD @ 25LBS/CU.FT.	21725
<b>A</b> OVERALL LENGTH	298.38"
<b>B</b> OVERALL WIDTH SIDE DOORS	133.00"
OVERALL WIDTH DISCHARGE	114.00"
<b>C</b> OVERALL HEIGHT	125.25"
<b>D</b> CHAMBER DEPTH	84.00"
<b>E</b> SIDE DOOR CHUTE CLEARANCE	21.75"
<b>F</b> DISCHARGE CLEARANCE (STD. FLAT)	33.25"
DISCHARGE CLEARANCE (DOGLEG)	45.75"
PIVOT DISCHARGE @ MIN. CLEARANCE	28.00"
DISCHARGE CLEARANCE (STD+CHUTE)	23.25"
TRACTOR MIN. HORSE POWER	125
NUMBER OF AXLES	1



\* ALL HEIGHTS BASED ON 75R22.5 TIRES

Performance, Longevity | Made in the U.S.A.   
& Quality Service

**Call Today 209-722-4146**

[Return to Website Click Here](#)



# **VR-800DD VERTICAL MIXER TRAILER-MOUNT**

*(TWIN AUGER)*

**VR-800DD**

**STANDARD EQUIPMENT**

1. 800 Cu.Ft. Mixing Chamber | 7 Ft. Side Wall
2. 3/4" Steel Sub-Floor & 6mm | 0.236 in Stainless Steel Baffles
3. Two Vertical Augers With 5mm Stainless Steel On Bottom Flight, 3mm Stainless Steel Auger Cap, & Stainless Round Bar Around Perimeter
4. Two Heavy Duty Planetary Gear Boxes (Som PG-1802) Integrated With 90 Degree Bevel Gears (T-269)
5. Discharge Conveyor (L) Stainless Steel 8.5'- Hydraulic, Adjustable On 8 Bearings (C-2082 Roller Chain)
6. PTO Shaft With 3/8" Shearbolt (1000 RPM)
7. 4 X 275/70R/22.5 Tires On A Single ADR Axle
8. 4 X 10,000 Lbs. Capacity Weighbars - 2 1/8" Diameter
9. 10 High Quality Busatis Blades (5 Per Auger) Plus Two Counter Knives
10. 4 Hydraulic Hoses
11. Mechanical Jack & Ladder For Viewing
12. Painted Laird White With Blue Trim

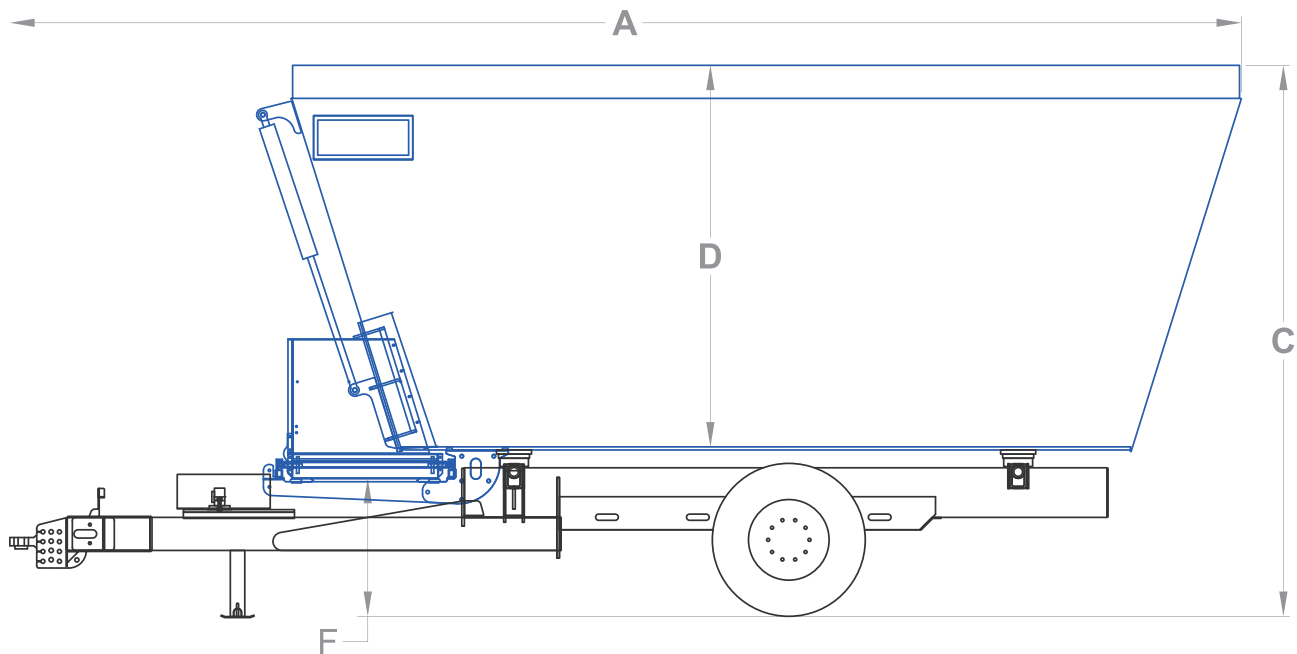
[Return to Website Click Here](#)



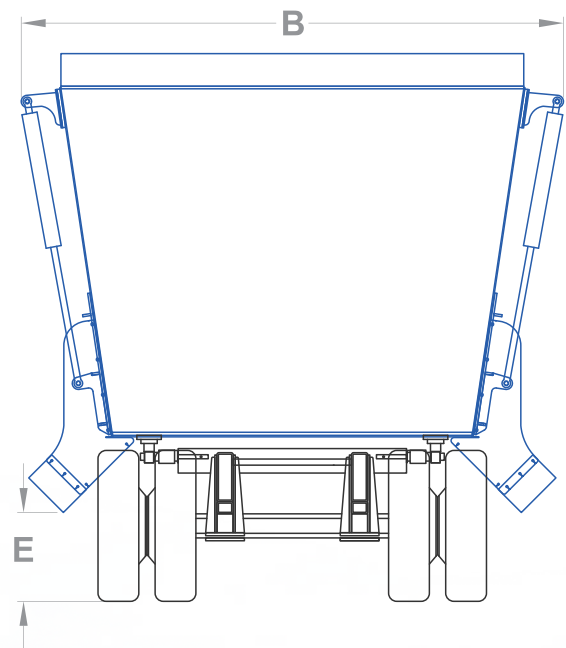
# VR-900DD VERTICAL MIXER TRAILER-MOUNT

(TWIN AUGER)

## VR-900DD DIAGRAM



UNIT SPECIFICATIONS	
NUMBER OF AUGERS	2
VOLUME (CU.FT.)	977
MAX LOAD @ 25LBS/CU.FT.	24425
<b>A</b> OVERALL LENGTH	298.00"
<b>B</b> OVERALL WIDTH SIDE DOORS	133.00"
OVERALL WIDTH DISCHARGE	114.00"
<b>C</b> OVERALL HEIGHT	133.25"
<b>D</b> CHAMBER DEPTH	92.00"
<b>E</b> SIDE DOOR CHUTE CLEARANCE	21.75"
<b>F</b> DISCHARGE CLEARANCE (STD. FLAT)	33.25"
DISCHARGE CLEARANCE (DOGLEG)	45.75"
PIVOT DISCHARGE @ MIN. CLEARANCE	28.00"
DISCHARGE CLEARANCE (STD+CHUTE)	23.25"
TRACTOR MIN. HORSE POWER	135
NUMBER OF AXLES	1



Performance, Longevity | Made in the U.S.A.   
& Quality Service

**Call Today 209-722-4146**

\* ALL HEIGHTS BASED ON 75R22.5 TIRES

[Return to Website Click Here](#)



# **VR-900DD VERTICAL MIXER TRAILER-MOUNT**

*(TWIN AUGER)*

**VR-900DD**

**STANDARD EQUIPMENT**

1. 900 Cu.Ft. Mixing Chamber | 7Ft. Side Wall Plus 8" Belt Extension
2. 3/4" Steel Sub-Floor & 6mm | 0.236 in Stainless Steel Baffles
3. Two Vertical Augers With 5mm Stainless Steel On Bottom Flight, 3mm Stainless Steel Auger Cap, & Stainless Round Bar Around Perimeter
4. Two Heavy Duty Planetary Gear Boxes (Som PG-1802) Integrated With 90 Degree Bevel Gears (T-269)
5. Discharge Conveyor (L) Stainless Steel 8.5'- Hydraulic, Adjustable On 8 Bearings (C-2082 Roller Chain)
6. PTO Shaft With 3/8" Shearbolt (1000 RPM)
7. 4 X 275/70R/22.5 Tires On A Single ADR Axle
8. 4 X 10,000 Lbs. Capacity Weighbars - 2 1/8" Diameter
9. 10 High Quality Busatis Blades (5 Per Auger) Plus Two Counter Knives
10. 4 Hydraulic Hoses
11. Mechanical Jack & Ladder For Viewing
12. Painted Laird White With Blue Trim

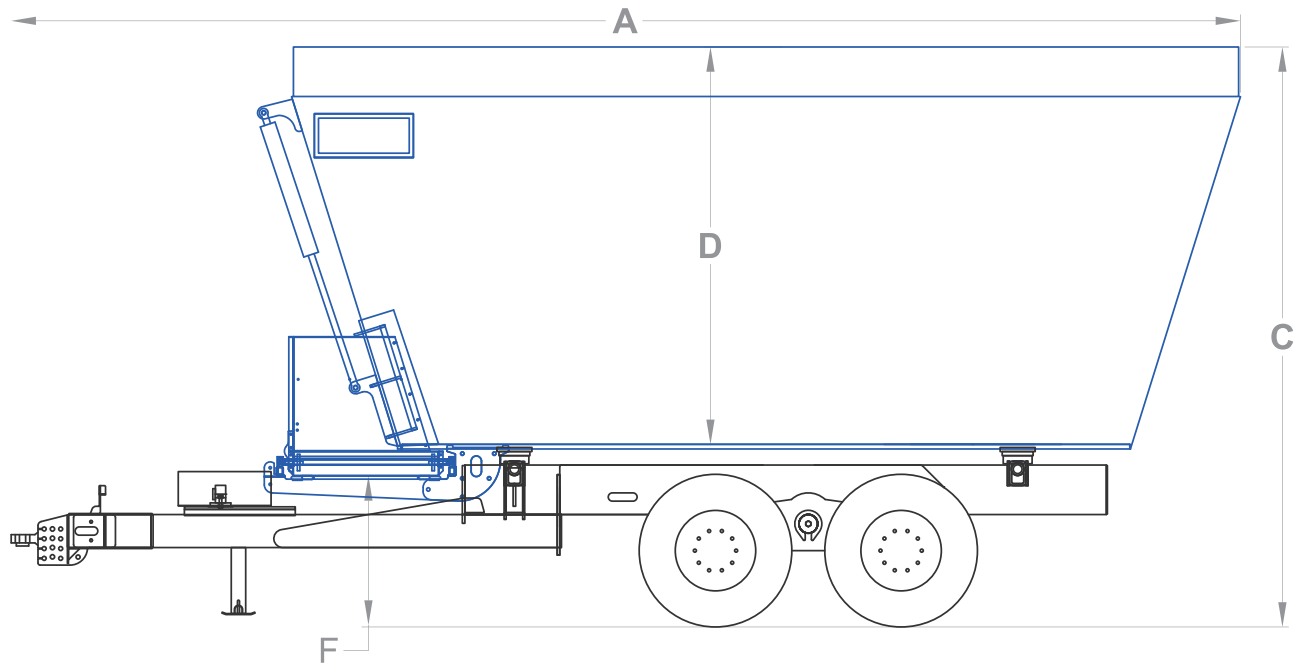
[Return to Website Click Here](#)



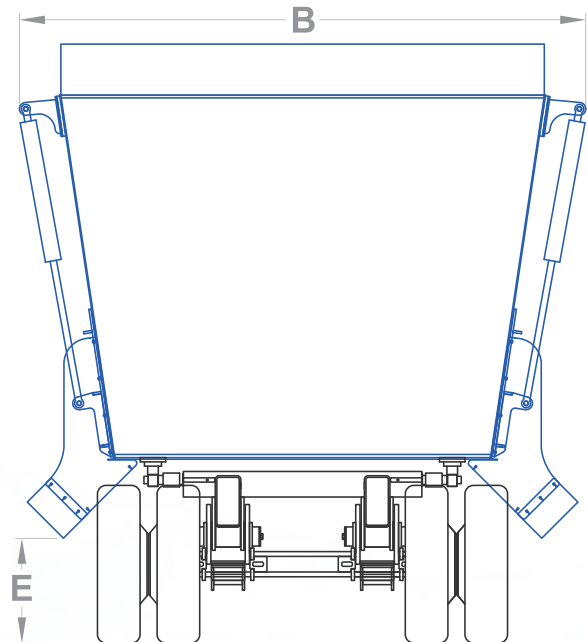
# VR-1000DD (N) VERTICAL MIXER TRAILER-MOUNT

(TWIN AUGER, NARROW)

## VR-1000DD (N) DIAGRAM



UNIT SPECIFICATIONS	
NUMBER OF AUGERS	2
VOLUME (CU.FT.)	1031
MAX LOAD @ 25LBS/CU.FT.	25775
<b>A</b> OVERALL LENGTH	298.38"
<b>B</b> OVERALL WIDTH SIDE DOORS	133.00"
OVERALL WIDTH DISCHARGE	114.00"
<b>C</b> OVERALL HEIGHT	140.00"
<b>D</b> CHAMBER DEPTH	96.00"
<b>E</b> SIDE DOOR CHUTE CLEARANCE	24.50"
<b>F</b> DISCHARGE CLEARANCE (STD. FLAT)	36.75"
DISCHARGE CLEARANCE (DOGLEG)	49.25"
PIVOT DISCHARGE @ MIN. CLEARANCE	31.50"
DISCHARGE CLEARANCE (STD+CHUTE)	26.75"
TRACTOR MIN. HORSE POWER	150
NUMBER OF AXLES	2



Performance, Longevity | Made in the U.S.A.   
& Quality Service

**Call Today 209-722-4146**

\* ALL HEIGHTS BASED ON 75R22.5 TIRES

[Return to Website Click Here](#)



# **VR-1000DD (N) VERTICAL MIXER TRAILER-MOUNT**

*(TWIN AUGER, NARROW)*

**VR-1000DD (N)  
STANDARD EQUIPMENT**

1. 1000 Cu.Ft. Mixing Chamber 17 Ft. Side Wall Plus 12" Steel Extension
2. 3/4" Steel Sub-Floor & 6mm | 0.236 in Stainless Steel Baffles
3. Two Vertical Augers With 5mm Stainless Steel On Bottom Flight, 3mm Stainless Steel Auger Cap, & Stainless Round Bar Around Perimeter
4. Two Heavy Duty Planetary Gear Boxes (RR3200) Integrated With 90 Degree Bevel Gears (T-310)
5. Discharge Conveyor (L) Stainless Steel 8.5'- Hydraulic, Adjustable On 8 Bearings (C-2082 Roller Chain)
6. PTO Shaft With 3/8" Shearbolt (1000 RPM)
7. 8 X 275/70R/22.5 Tires On Walking Beam Suspension With Tandem ADR Square Axles
8. 4 X 10,000 Lbs. Capacity Weighbars - 2 1/8" Diameter
9. 10 High Quality Busatis Blades (5 Per Auger) Plus Two Counter Knives
10. 4 Hydraulic Hoses
11. Mechanical Jack & Ladder For Viewing
12. Painted Laird White With Blue Trim

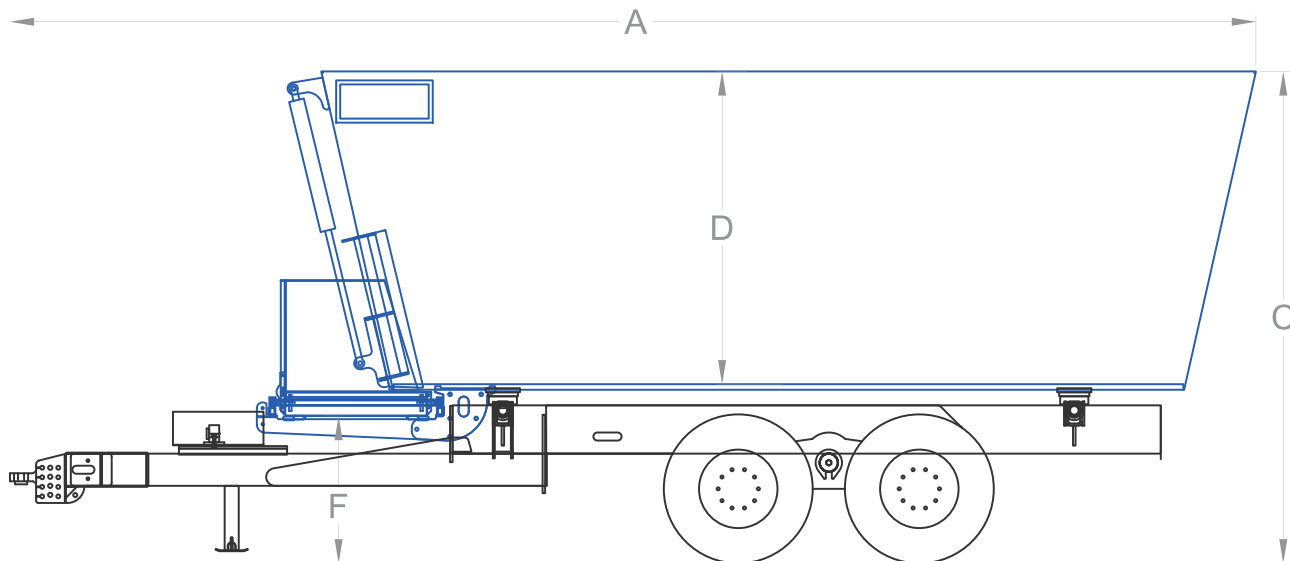
[Return to Website Click Here](#)



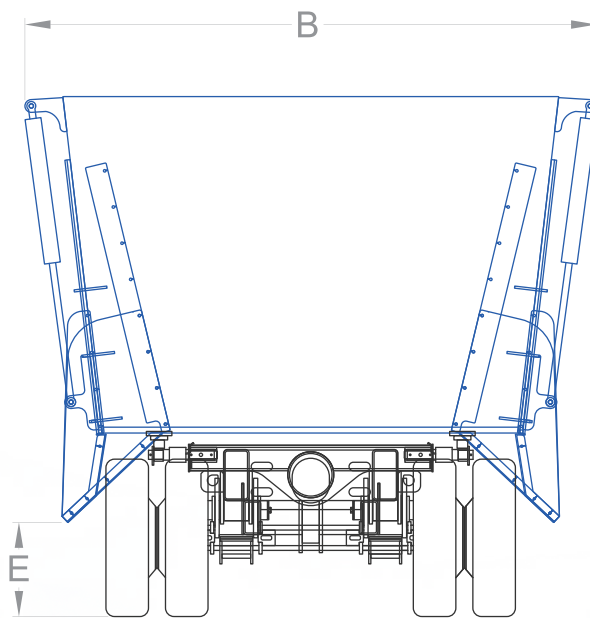
# VR-1000DD VERTICAL MIXER TRAILER-MOUNT

(TWIN AUGER, WIDE BODY)

## VR-1000DD DIAGRAM



UNIT SPECIFICATIONS	
NUMBER OF AUGERS	2
VOLUME (CU.FT.)	880
MAX LOAD @ 25LBS/CU.FT.	22000
<b>A</b> OVERALL LENGTH	309.75"
<b>B</b> OVERALL WIDTH SIDE DOORS	134.50"
OVERALL WIDTH DISCHARGE	116.50"
<b>C</b> OVERALL HEIGHT	122.25"
<b>D</b> CHAMBER DEPTH	78.00"
<b>E</b> SIDE DOOR CHUTE CLEARANCE	22.25"
<b>F</b> DISCHARGE CLEARANCE (STD. FLAT)	36.75"
DISCHARGE CLEARANCE (DOGLEG)	49.25"
PIVOT DISCHARGE @ MIN. CLEARANCE	31.50"
DISCHARGE CLEARANCE (STD+CHUTE)	26.75"
TRACTOR MIN. HORSE POWER	175
NUMBER OF AXLES	2



\* ALL HEIGHTS BASED ON 75R22.5 TIRES

Performance, Longevity | Made in the U.S.A   
& Quality Service

**Call Today 209-722-4146**

[Return to Website Click Here](#)



# **VR-1000DD VERTICAL MIXER TRAILER-MOUNT**

*(TWIN AUGER, WIDE BODY)*

**VR-1000DD**

**STANDARD EQUIPMENT**

1. 1000 Cu.Ft. Mixing Chamber | 6.5Ft. Side Wall
2. 1" Steel Sub-Floor & 6mm | 0.236 in Stainless Steel Baffles
3. Two Vertical Augers With 5mm Stainless Steel On Bottom Flight, 3mm Stainless Steel Auger Cap, & Stainless Round Bar Around Perimeter
4. Two Heavy Duty Planetary Gear Boxes (RR3200) Integrated With 90 Degree Bevel Gears (T-310)
5. Discharge Conveyor (L) Stainless Steel 8.5'- Hydraulic, Adjustable On 8 Bearings (C-2082 Roller Chain)
6. PTO Shaft With 3/8" Shearbolt (1000 RPM)
7. 8 X 275/70R/22.5 Tires On Walking Beam Suspension With Tandem ADR Square Axles
8. 4 X 15,000 Lbs. Capacity Weighbars - 2.5" Diameter
9. 10 High Quality Busatis Blades (5 Per Auger) Plus Two Counter Knives
10. 4 Hydraulic Hoses
11. Mechanical Jack & Ladder For Viewing
12. Painted Laird White With Blue Trim

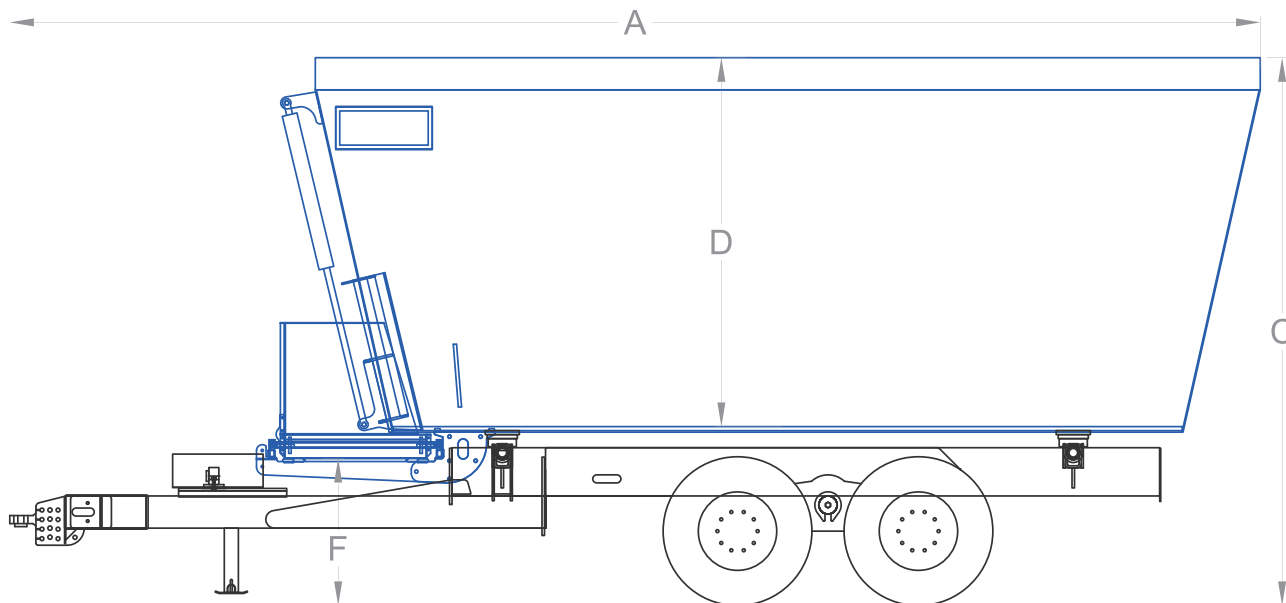
[Return to Website Click Here](#)



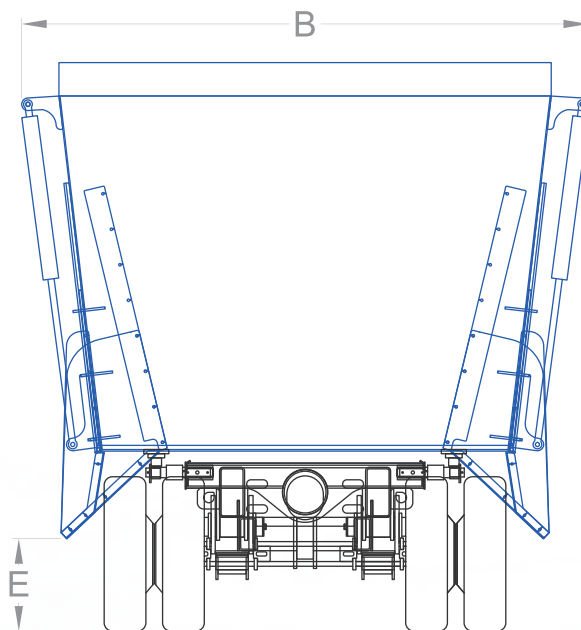
# VR-1200DD VERTICAL MIXER TRAILER-MOUNT

(TWIN AUGER, WIDE BODY)

## VR-1200DD DIAGRAM



UNIT SPECIFICATIONS	
NUMBER OF AUGERS	2
VOLUME (CU.FT.)	1079
MAX LOAD @ 25LBS/CU.FT.	27100
<b>A</b> OVERALL LENGTH	311.00"
<b>B</b> OVERALL WIDTH SIDE DOORS	136.00"
OVERALL WIDTH DISCHARGE	118.00"
<b>C</b> OVERALL HEIGHT	136.25"
<b>D</b> CHAMBER DEPTH	92.00"
<b>E</b> SIDE DOOR CHUTE CLEARANCE	22.25"
<b>F</b> DISCHARGE CLEARANCE (STD. FLAT)	36.75"
DISCHARGE CLEARANCE (DOGLEG)	49.25"
PIVOT DISCHARGE @ MIN. CLEARANCE	31.50"
DISCHARGE CLEARANCE (STD+CHUTE)	26.75"
TRACTOR MIN. HORSE POWER	185
NUMBER OF AXLES	2



\* ALL HEIGHTS BASED ON 75R22.5 TIRES

Performance, Longevity | Made in the U.S.A.   
& Quality Service

**Call Today 209-722-4146**

[Return to Website Click Here](#)



# **VR-1200DD VERTICAL MIXER TRAILER-MOUNT**

*(TWIN AUGER, WIDE BODY)*

**VR-1200DD**

**STANDARD EQUIPMENT**

1. 1200 Cu.Ft. Mixing Chamber | 7Ft. Side Wall Plus 8" Belt Extension
2. 1" Steel Sub-Floor & 6mm | 0.236 in Stainless Steel Baffles
3. Two Vertical Augers With 5mm Stainless Steel On Bottom Flight, 3mm Stainless Steel Auger Cap, & Stainless Round Bar Around Perimeter
4. Two Heavy Duty Planetary Gear Boxes (RR3200) Integrated With 90 Degree Bevel Gears (T-310)
5. Discharge Conveyor (L) Stainless Steel 8.5'- Hydraulic, Adjustable On 8 Bearings (C-2082 Roller Chain)
6. PTO Shaft With 3/8" Shearbolt (1000 RPM)
7. 8 X 275/70R/22.5 Tires On Walking Beam Suspension With Tandem ADR Square Axles
8. 4 X 15,000 Lbs. Capacity Weighbars - 2.5" Diameter
9. 10 High Quality Busatis Blades (5 Per Auger) Plus Two Counter Knives
10. 4 Hydraulic Hoses
11. Mechanical Jack & Ladder For Viewing
12. Painted Laird White With Blue Trim

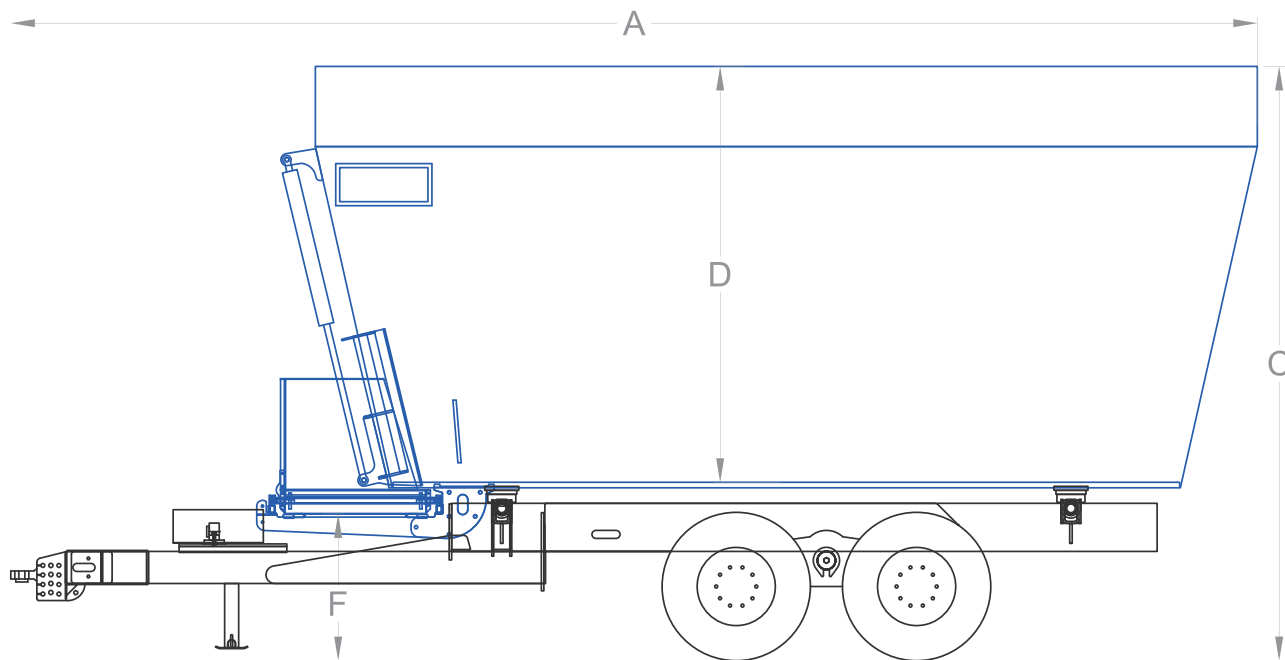
[Return to Website Click Here](#)



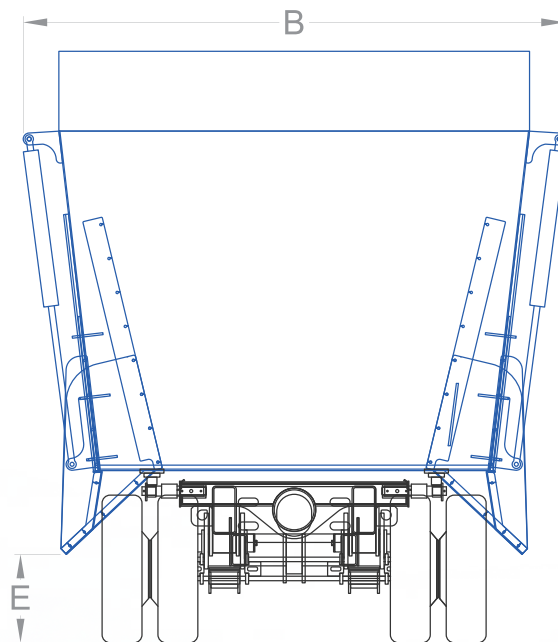
# VR-1400DD VERTICAL MIXER TRAILER-MOUNT

(TWIN AUGER, WIDE BODY)

## VR-1400DD DIAGRAM



UNIT SPECIFICATIONS	
NUMBER OF AUGERS	2
VOLUME (CU.FT.)	1249
MAX LOAD @ 25LBS/CU.FT.	31225
<b>A</b> OVERALL LENGTH	311.00"
<b>B</b> OVERALL WIDTH SIDE DOORS	136.00"
OVERALL WIDTH DISCHARGE	118.00"
<b>C</b> OVERALL HEIGHT	148.25"
<b>D</b> CHAMBER DEPTH	104.00"
<b>E</b> SIDE DOOR CHUTE CLEARANCE	22.25"
<b>F</b> DISCHARGE CLEARANCE (STD. FLAT)	36.75"
DISCHARGE CLEARANCE (DOGLEG)	49.25"
PIVOT DISCHARGE @ MIN. CLEARANCE	31.50"
DISCHARGE CLEARANCE (STD+CHUTE)	26.75"
TRACTOR MIN. HORSE POWER	200
NUMBER OF AXLES	2



\* ALL HEIGHTS BASED ON 75R22.5 TIRES

Performance, Longevity | Made in the U.S.A.   
& Quality Service

**Call Today 209-722-4146**

[Return to Website Click Here](#)



# **VR-1400DD VERTICAL MIXER TRAILER-MOUNT**

*(TWIN AUGER, WIDE BODY)*

**VR-1400DD**

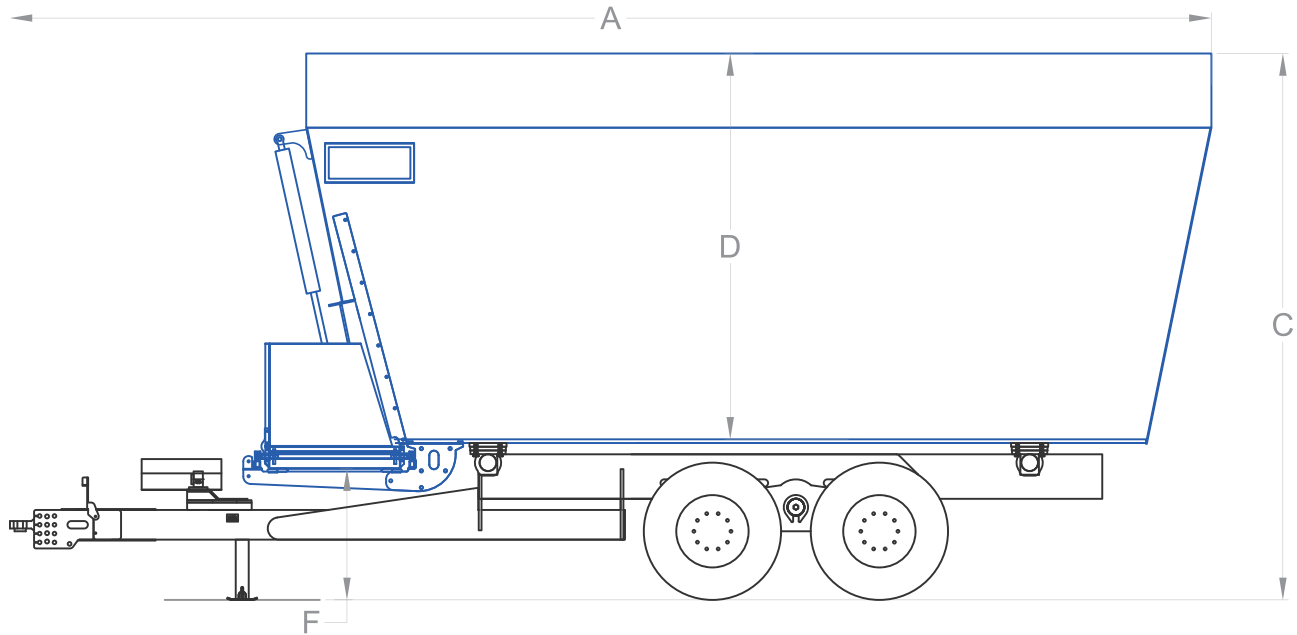
**STANDARD EQUIPMENT**

1. 1400 Cu.Ft. Mixing Chamber 17 Ft. Side Wall Plus 20" Steel Extension
2. 1" Steel Sub-Floor & 6mm | 0.236 in Stainless Steel Baffles
3. Two Vertical Augers With 5mm Stainless Steel On Bottom Flight, 3mm Stainless Steel Auger Cap, & Stainless Round Bar Around Perimeter
4. Two Heavy Duty Planetary Gear Boxes (RR3200) Integrated With 90 Degree Bevel Gears (T-310)
5. Discharge Conveyor (L) Stainless Steel 8.5'- Hydraulic, Adjustable On 8 Bearings (C-2082 Roller Chain)
6. PTO Shaft With 3/8" Shearbolt (1000 RPM)
7. 8 X 275/70R/22.5 Tires On Walking Beam Suspension With Tandem ADR Square Axles
8. 4 X 15,000 Lbs. Capacity Weighbars - 2.5" Diameter
9. 10 High Quality Busatis Blades (5 Per Auger) Plus Two Counter Knives
10. 4 Hydraulic Hoses
11. Mechanical Jack & Ladder For Viewing
12. Painted Laird White With Blue Trim

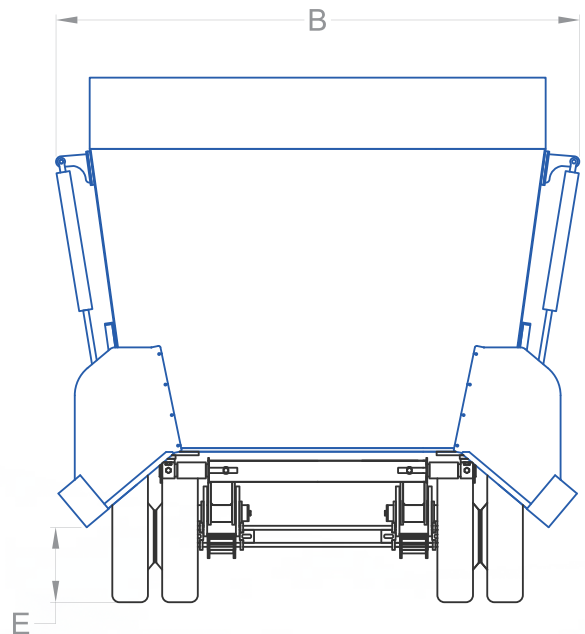
[Return to Website Click Here](#)



# VR-1500DDXL VERTICAL MIXER TRAILER-MOUNT (TWIN AUGER) VR-1500DDXL DIAGRAM



UNIT SPECIFICATIONS	
NUMBER OF AUGERS	2
VOLUME (CU.FT.)	1406
MAX LOAD @ 25LBS/CU.FT.	35150
<b>A</b> OVERALL LENGTH	324.00"
<b>B</b> OVERALL WIDTH SIDE DOORS	147.00"
OVERALL WIDTH DISCHARGE	128.00"
<b>C</b> OVERALL HEIGHT	147.00"
<b>D</b> CHAMBER DEPTH	104.00"
<b>E</b> SIDE DOOR CHUTE CLEARANCE	21.00"
<b>F</b> DISCHARGE CLEARANCE (STD. FLAT)	35.50"
DISCHARGE CLEARANCE (DOGLEG)	48.00"
PIVOT DISCHARGE @ MIN. CLEARANCE	30.25"
DISCHARGE CLEARANCE (STD+CHUTE)	25.50"
TRACTOR MIN. HORSE POWER	250
NUMBER OF AXLES	2



\* ALL HEIGHTS BASED ON 75R22.5 TIRES

Performance, Longevity | Made in the U.S.A.   
& Quality Service

**Call Today 209-722-4146**

[Return to Website Click Here](#)



# **VR-1500DDXL VERTICAL MIXER TRAILER-MOUNT**

*(TWIN AUGER)*

## **VR-1500DDXL STANDARD EQUIPMENT**

1. 1590 Cu.Ft. Mixing Chamber | 7 Ft. Side Wall Plus 12" Steel Extension, Plus 8" Belt Extension
2. 1" Steel Sub-Floor & 6mm | 0.236 in Stainless Steel Baffles
3. Two Vertical Augers With 5mm Stainless Steel On Bottom Flight, 3mm Stainless Steel Auger Cap, & Stainless Round Bar Around Perimeter
4. Two Heavy Duty Planetary Gear Boxes (RR3200) Integrated With 90 Degree Bevel Gears (AM310)
5. Discharge Conveyor (L) Stainless Steel 8.5'- Hydraulic, Adjustable On 8 Bearings (C-2082 Roller Chain)
6. PTO Shaft With 3/8" Shearbolt (1000 RPM)
7. 8 X 275/70R/22.5 Tires On Walking Beam Suspension With Tandem ADR Square Axles
8. 4 X 30,000 Lbs. Capacity Weighbars - 3.5" Diameter
9. 10 High Quality Busatis Blades (5 Per Auger) Plus Two Counter Knives
10. 4 Hydraulic Hoses
11. Mechanical Jack & Ladder For Viewing
12. Painted Laird White With Blue Trim

[Return to Website Click Here](#)





# Cattle Feeding Equipment & Solutions



531 S. Hwy. 59 | Merced, CA 95341  
P: (209) 722-4145 | F: (209) 349-8934 | [sales@lairdmfg.com](mailto:sales@lairdmfg.com) | [www.lairdmfg.com](http://www.lairdmfg.com)

[Return to Website Click Here](#)