



# VERTICAL TRAILER MOUNT MIXERS

## TRIPLE AUGER SERIES



**Cattle Feeding Equipment & Solutions**

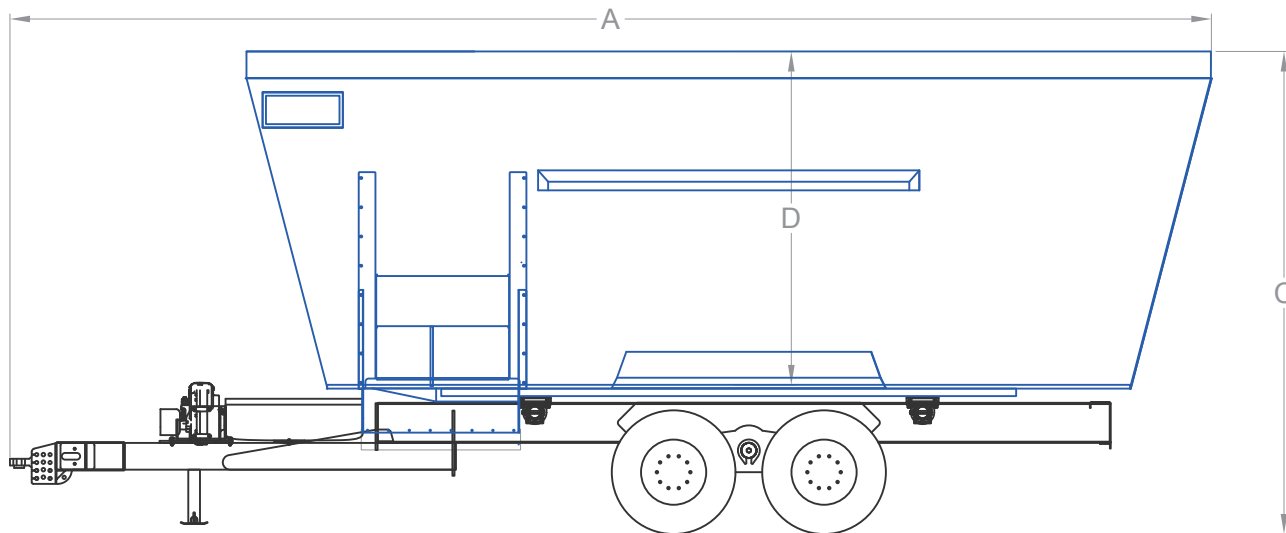
[Return to Website Click Here](#)



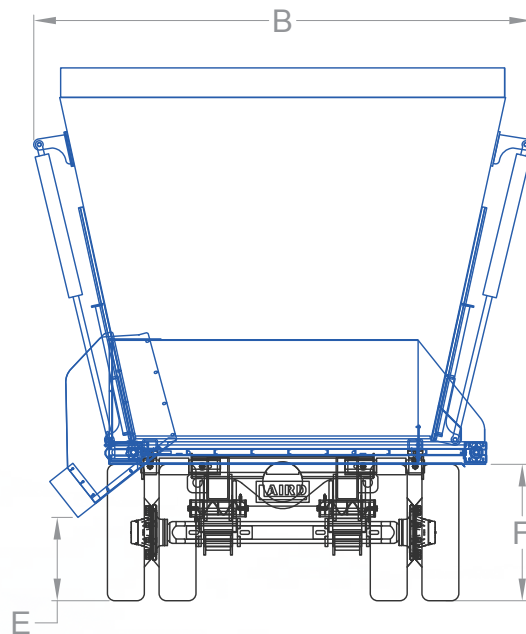
# VR-1444DD VERTICAL MIXER TRAILER-MOUNT

(TRIPLE AUGER)

## VR-1444DD DIAGRAM



UNIT SPECIFICATIONS	
NUMBER OF AUGERS	3
VOLUME (CU.FT.)	1390
MAX LOAD @ 25LBS/CU.FT.	34750
<b>A</b> OVERALL LENGTH	359.50"
<b>B</b> OVERALL WIDTH SIDE DOORS	135.00"
OVERALL WIDTH DISCHARGE	120.00"
<b>C</b> OVERALL HEIGHT	144.50"
<b>D</b> CHAMBER DEPTH	100.00"
<b>E</b> SIDE DOOR CHUTE CLEARANCE	22.50
<b>F</b> DISCHARGE CLEARANCE (STD. FLAT)	37.00"
DISCHARGE CLEARANCE (DOGLEG)	49.75"
PIVOT DISCHARGE @ MIN. CLEARANCE	32.00"
DISCHARGE CLEARANCE (STD+CHUTE)	27.00"
TRACTOR MIN. HORSE POWER	180
NUMBER OF AXLES	2



\*ALL HEIGHTS BASED ON 75R22.5 TIRES

Performance, Longevity | Made in the U.S.A.   
& Quality Service

**Call Today 209-722-4146**

[Return to Website Click Here](#)



# **VR-1444DD VERTICAL MIXER TRAILER-MOUNT**

*(TRIPLE AUGER)*

**VR-1444DD**

## **STANDARD EQUIPMENT**

1. 1444 Cu.Ft. Mixing Chamber | 92" Side Wall Plus 8" Belt Extension
2. 1" Steel Sub-Floor & 6mm | 0.236 in Stainless Steel Baffles
3. Three Vertical Augers with 5mm Stainless Steel On Bottom Flight, 3mm Stainless Steel Auger Cap, & Stainless Round Bar Around Perimeter
4. Three Heavy Duty Planetary Gear Boxes (SOM-PG 1802) Integrated With 90 Degree Bevel Gears (T-269)
5. 2 Side Doors (R,L Sides) With Slide Chutes
6. PTO Shaft With 3/8" Shearbolt (1000 RPM)
7. ZDB Auto-Shift Transmission (RG) - With Oil Cooler, Hoses, & Speed Sensor. Includes RPM Controller for Clutch Protection on Transmission
8. AutoShift With Speed Control - Enables Mixing in High Speed - Except On Startup or When The Output RPM Drops Below 450 RPM
9. Wireless Controller For Selecting High & Low Speeds
10. 8 X 275/70R/22.5 Tires On Walking Beam Suspension With Tandem ADR Square Axles
11. 4 X 30,000 Lbs. Capacity Weighbars - 3.5" Diameter
12. 15 High Quality Busatis Blades (5 Per Auger) Plus Two Counter Knives
13. Extra Kickers on Front & Rear Augers, 4 Hydraulic Hoses, Includes Viewing Platform & Mechanical Jack
14. Painted Laird White With Blue Trim

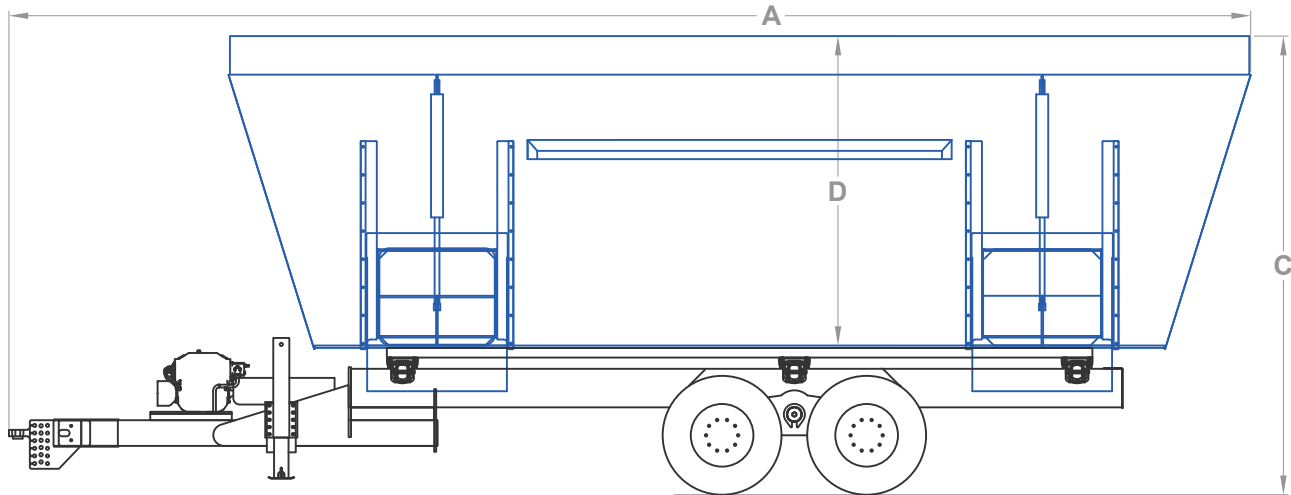
[Return to Website Click Here](#)



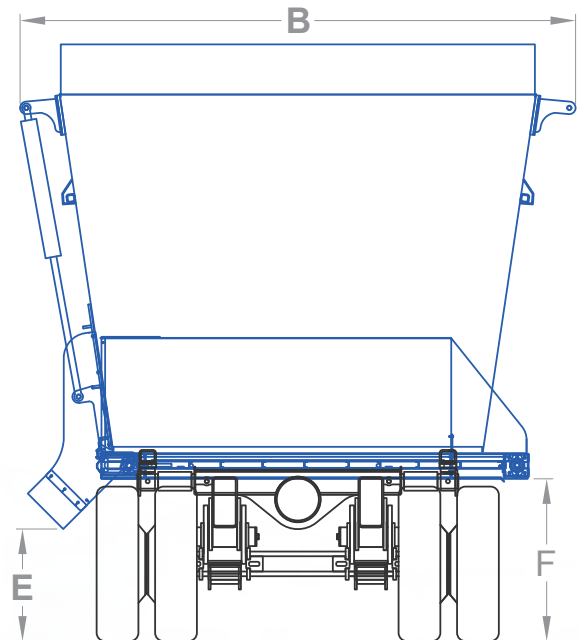
# VR-1600DD VERTICAL MIXER TRAILER-MOUNT

(TRIPLE AUGER)

## VR-1600DD DIAGRAM



UNIT SPECIFICATIONS	
NUMBER OF AUGERS	3
VOLUME (CU.FT.)	1516
MAX LOAD @ 25LBS/CU.FT.	37900
<b>A</b> OVERALL LENGTH	386.50"
<b>B</b> OVERALL WIDTH SIDE DOORS	133.00"
OVERALL WIDTH DISCHARGE	114.00"
<b>C</b> OVERALL HEIGHT	142.75"
<b>D</b> CHAMBER DEPTH	96.00"
<b>E</b> SIDE DOOR CHUTE CLEARANCE	27.00
<b>F</b> DISCHARGE CLEARANCE (STD. FLAT)	39.00"
DISCHARGE CLEARANCE (DOGLEG)	51.50"
PIVOT DISCHARGE @ MIN. CLEARANCE	33.75"
DISCHARGE CLEARANCE (STD+CHUTE)	29.00"
TRACTOR MIN. HORSE POWER	280
NUMBER OF AXLES	2



Performance, Longevity | Made in  the U.S.A  
& Quality Service

**Call Today 209-722-4146**

\*ALL HEIGHTS BASED ON 75R22.5 TIRES

[Return to Website Click Here](#)



# **VR-1600DD VERTICAL MIXER TRAILER-MOUNT**

*(TRIPLE AUGER)*

**VR-1600DD**

## **STANDARD EQUIPMENT**

1. 1600 Cu.Ft. Mixing Chamber | 7Ft. Side Wall Plus 12" Steel Extension
2. 1" Steel Sub-Floor & 6mm | 0.236 in Stainless Steel Baffles
3. Three Vertical Augers with 5mm Stainless Steel On Bottom Flight, 3mm Stainless Steel Auger Cap, & Stainless Round Bar Around Perimeter
4. Three Heavy Duty Planetary Gear Boxes (Som PG-3002) Integrated With 90 Degree Bevel Gears (T-310)
5. 2 Side Doors (R,L Sides) With Slide Chutes
6. PTO Shaft With 3/8" Shearbolt (1000 RPM)
7. ZDB Auto-Shift Transmission (QJ) - With Oil Cooler, Hoses, & Speed Sensor. Includes RPM Controller for Clutch Protection on Transmission
8. AutoShift With Speed Control - Enables Mixing in High Speed - Except On Startup or When The Output RPM Drops Below 450 RPM
9. Wireless Controller For Selecting High & Low Speeds Manually
10. 8 X 275/70R/22.5 Tires On Walking Beam Suspension With Tandem ADR Square Axles
11. 6 X 30,000 Lbs. Capacity Weighbars - 3.5" Diameter
12. 15 High Quality Busatis Blades (5 Per Auger) Plus Two Counter Knives
13. Extra Kickers on Front & Rear Augers, 4 Hydraulic Hoses, Includes Viewing Platform & Mechanical Jack
14. Painted Laird White With Blue Trim

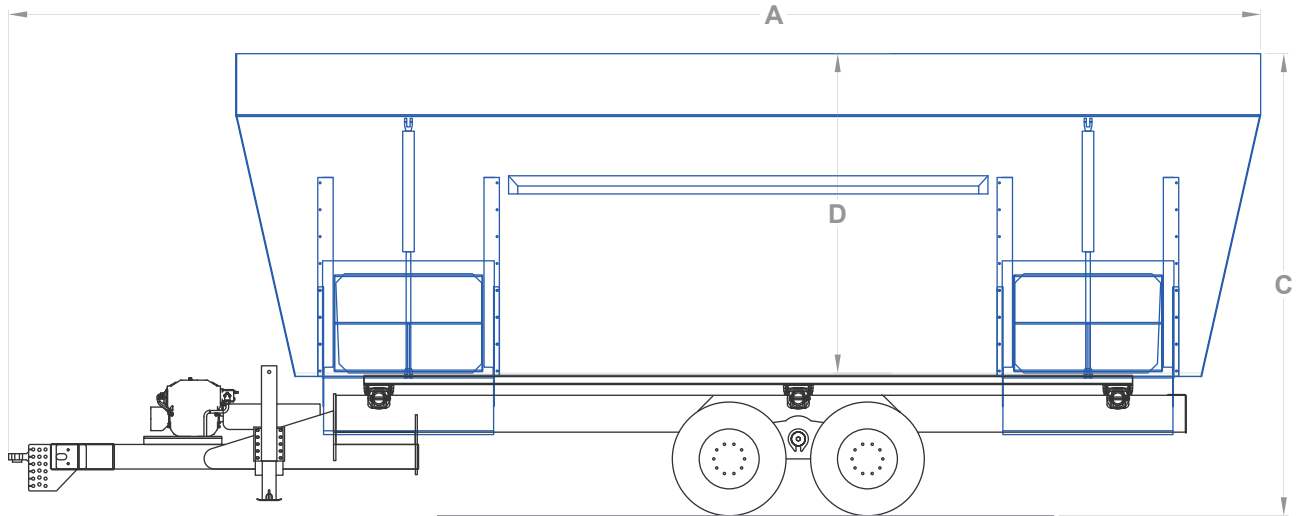
[Return to Website Click Here](#)



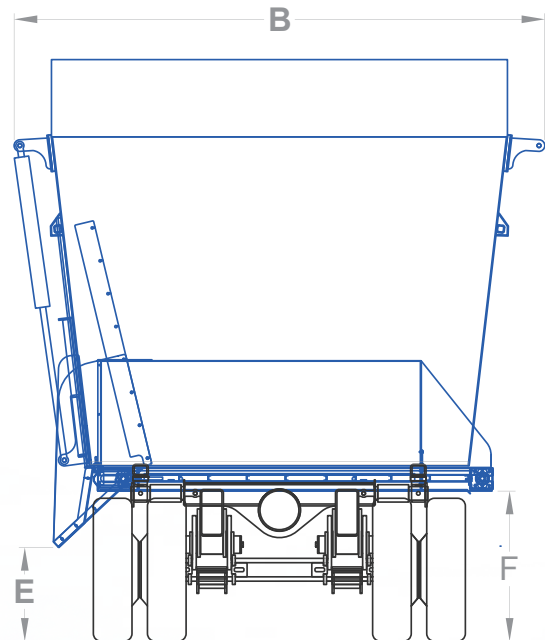
# VR-1800DD VERTICAL MIXER TRAILER-MOUNT

(TRIPLE AUGER)

## VR-1800DD DIAGRAM



UNIT SPECIFICATIONS	
NUMBER OF AUGERS	3
VOLUME (CU.FT.)	1867
MAX LOAD @ 25LBS/CU.FT.	46675
<b>A</b> OVERALL LENGTH	407.50"
<b>B</b> OVERALL WIDTH SIDE DOORS	137.25"
OVERALL WIDTH DISCHARGE	118.00"
<b>C</b> OVERALL HEIGHT	150.75"
<b>D</b> CHAMBER DEPTH	104.00"
<b>E</b> SIDE DOOR CHUTE CLEARANCE	24.00
<b>F</b> DISCHARGE CLEARANCE (STD. FLAT)	39.00"
DISCHARGE CLEARANCE (DOGLEG)	51.50"
PIVOT DISCHARGE @ MIN. CLEARANCE	33.75"
DISCHARGE CLEARANCE (STD+CHUTE)	29.00"
TRACTOR MIN. HORSE POWER	310
NUMBER OF AXLES	2



Performance, Longevity | Made in the U.S.A.   
& Quality Service

**Call Today 209-722-4146**

\*ALL HEIGHTS BASED ON 75R22.5 TIRES

[Return to Website Click Here](#)



# **VR-1800DD VERTICAL MIXER TRAILER-MOUNT**

*(TRIPLE AUGER)*

**VR-1800DD**

## **STANDARD EQUIPMENT**

1. 1800 Cu.Ft. Mixing Chamber | 7Ft. Side Wall Plus 12" Steel Extension Plus 8" Belt
2. 1" Steel Sub-Floor & 6mm | 0.236 in Stainless Steel Baffles
3. Three Vertical Augers with 5mm Stainless Steel On Bottom Flight, 3mm Stainless Steel Auger Cap, & Stainless Round Bar Around Perimeter
4. Three Heavy Duty Planetary Gear Boxes (R&R-3200) Integrated With 90 Degree Bevel Gears (T-310)
5. 4 Side Doors (R,L, Front & Rear) With Slide Chutes
6. Constant Velocity (CV PTO) Shaft With Shearbolt (1000 RPM)
7. ZDB Auto-Shift Transmission (QJ) - With Oil Cooler, Hoses, & Speed Sensor. Includes RPM Controller for Clutch Protection on Transmission
8. AutoShift W/ Speed Control - Allows Mixing in High Speed  
- Except On Startup & When The Output RPM Drops Below 450 RPM
9. Wireless Controller For Selecting High & Low Speeds
10. 8 - 315/80R/22.5 Tires on HD Walking Beam Suspension With Tandem ADR Square Axles
11. 6 X 30,000 Lbs. Capacity Weighbars - 3.5" Diameter
12. 15 High Quality Busatis Blades (5 Per Auger) Plus Two Counter Knives
13. Extra Kickers on Front & Rear Augers, 4 Hydraulic Hoses, Includes Viewing Platform & Mechanical Jack
14. Painted Laird White With Blue Trim

[Return to Website Click Here](#)





# Cattle Feeding Equipment & Solutions



531 S. Hwy. 59 | Merced, CA 95341  
P: (209) 722-4145 | F: (209) 349-8934 | [sales@lairdmfg.com](mailto:sales@lairdmfg.com) | [www.lairdmfg.com](http://www.lairdmfg.com)

[Return to Website Click Here](#)